

Ozone Blaster 22 Commercial Air Purifier





OWNER'S MANUAL

Please read all of the information provided in this owner's manual before operating your new Commercial Air purifier.

WARNING

This air unit is not a medical device. Do not stop or alter any medical therapy programs or medications without the advice of your physician. Excessive ozone concentrations may cause mucous membrane or respiratory irritation.

	CAUTION	
	RISK OF ELECTRICAL SHOCK DO NOT OPEN	
	ATTENTION	

CAUTION: TO REDUCE THE RISK OF ELECTRICAL SHOCK, DO NOT REMOVE COVER. NO USER SERVICEABLE PARTS INSIDE. REFER SERVICING TO QUALIFIED SERVICE PERSONNEL.

This “bolt of lightning” indicates that uninsulated material within your unit may cause an electrical shock. For the safety of everyone, do not remove product covering.

Read ALL instructions carefully before using this product.

FOR YOUR RECORDS

Please record the model and serial number below, for easy reference, in case of loss or theft. These numbers are located on the back panel of your air purification unit. Space is also provided for other relevant information.

Model Number _____

Serial Number _____

Date of Purchase _____

Purchased From _____

INTRODUCTION

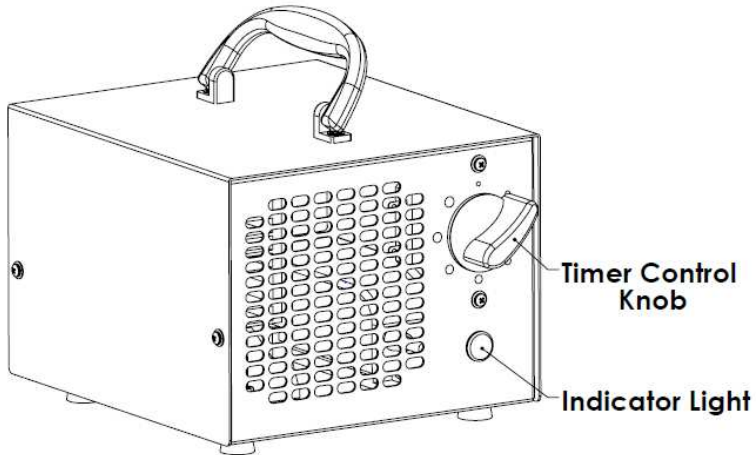
This air purifier is an advanced and convenient contaminant remediation product. High-powered oxidation in a compact, light weight, rugged and simple design. Utilizing controlled corona discharge ozone technology developed specifically to reduce odors and smoke in unoccupied spaces, ideal for treatment for homes, office, automobiles & boats and More!

SPECIFICATIONS

Model:	Ozone Blaster 22
Rated Voltage:	USA/Japan AC 100-120V/50-60Hz
Power Consumption:	70 W
Ceramic Plate Size(1plate):	90X50MM
Air Volume:	Max 106 CFM (3 M ³ /min)
Active Oxygen(on) :	5 g/h
Sound Level (DB):	35 dB
Product size(mm):	W170 x H150 x D200MM
Weight:	2.4Kgs(5.3Lbs)

Operating the Commercial Purifier

(Front View)



PART

FUNCTION

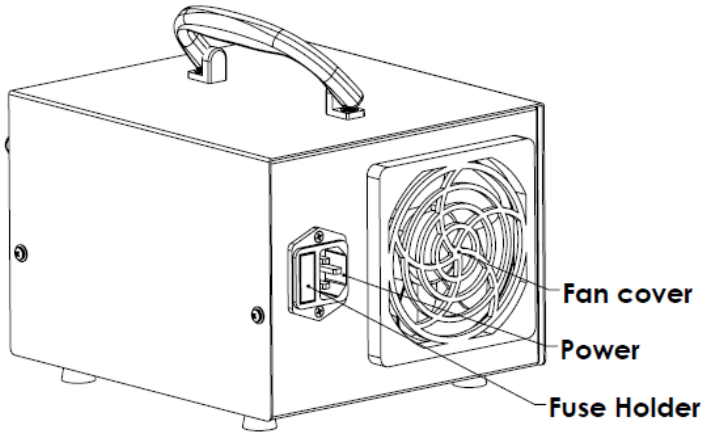
Timer Control Knob

Turn clockwise to set the timer for timed operation up to THREE hours.

Indicator Light

Illuminates when unit is in operation.

(Back View)



PART	FUNCTION
------	----------

Fuse Holder	Houses removable fuse. (Spare fuse included, 2-amp, 0.79 inch in length)
Power Cord	100~120 Volt grounded cord (unless otherwise.

OPERATION

The Air Purifier is designed to remove odors in unoccupied spaces. The unit has a timer that will enable it to run for a maximum duration of 3 hours. The timer will then shut the commercial air purifier off. You should allow 40 minutes before returning to the treated area.

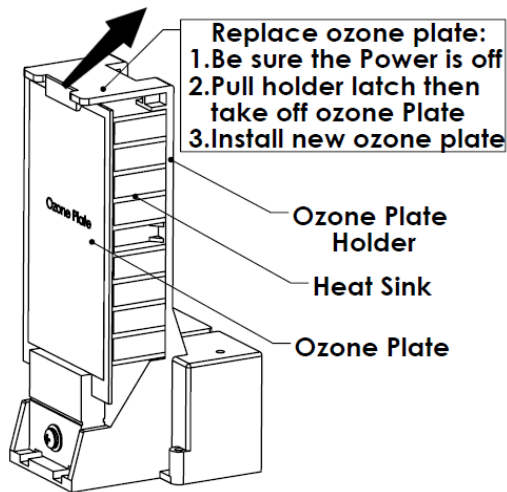
To operate the Commercial Air Purifier:

- Close off the desired area to be treated.
- Remove all occupants and pets.
- Position the unit as close as possible to the odor source.
- In such environments as motels that have individual heating and cooling systems, turn the fan on and set on re-circulate.
- Set timer to desired time and leave the room.
- Allow 40 minutes before re-entering the treated space.
- Return to space & ventilation area.

MAINTENANCE

When the air purifier no longer produces enough ozone to be effective, the ozone plate should be replaced. (Usually, it should be replaced after working 5000 hours)

How to replace a plate:

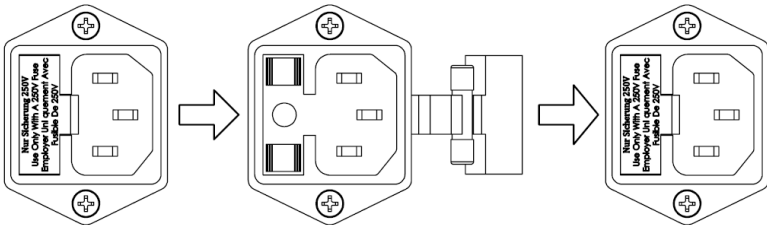


- 1) Turn the unit off and unplug from outlet.
- 2) Use a screw driver to unfasten cover screw and remove cover.
- 3) Pull ceramic plate out of ozone generator module.
- 4) Install ceramic plate as shown in left figure (be careful not to drop the plate).

TROUBLESHOOTING

If you suspect a problem with your unit, check the following:

- 1) Unit is plugged in properly.
- 2) It's important that the Commercial Air purifier be properly grounded to avoid potential shock.
- 3) Fuse is installed properly and in good condition. To replace fuse, pull out the plastic fuse holder, remove old fuse and insert new fuse. Replacement fuse must be 2 amp (0.79 inch). Refer to picture as follows:



SERVICE AND WARRANTY

The commercial air purifier comes with a 1 Year Limited Warranty.